

HEAVY DUTY FILTER

SERIES: AS-F



Indumart AS-F Series Heavy Duty Filters are high capacity and are used extensively by large assembly and fabricating plants, where high efficiency and long service life are the important requirements.

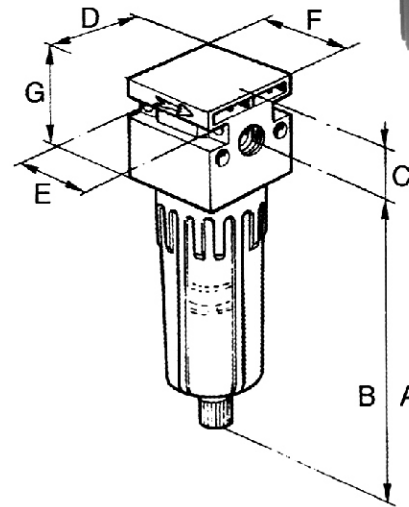
In addition to removing particles greater than 5 µm, the AS-F series provides superb oil and water removals from compressed air. The liquid collected inside the filter cup may be drained manually via its drainage valve, or the optional automatic drainage system may be ordered for automatic draining of the cup.

The AS-F Series is suitable for compressed air applications, as well as non-poisonous, non-corrosive and non-flammable gaseous media.

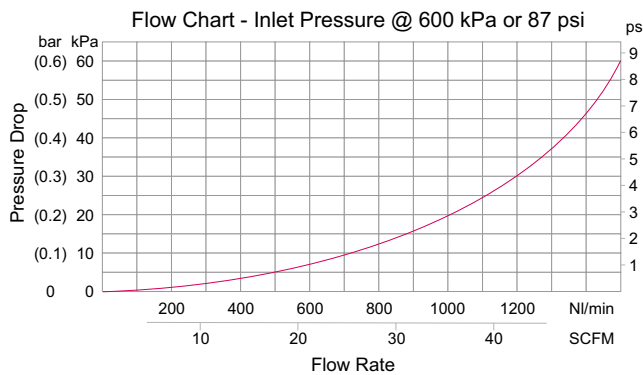


Size	1/8" - 1/4"	3/8" - 1/2"	3/4" - 1"
Max. Inlet Pressure*	260 psi, 18 bar, 1800 kPa		
Flow (NI/min) @ 600 kPa	1150	4000	8800
Drainage System	Manual / Semi-automatic; Automatic (option)		
Capacity of the Cup (ml)	13	47	175
Max. Temp. @ 1000 kPa	50°C		
Degree of Filtration	5 µm		
Mounting Position	Vertical		
Body Material	Galvanised Zn+Al+Mg alloy, epoxy painted		
Cup Material	Transparent Technopolymer, Aluminium shield		
Filter Cartridge	Sintered bronze		
Internal Seals	NBR		
Weight with Metal Cup (kg)	0.3	0.7	1.7

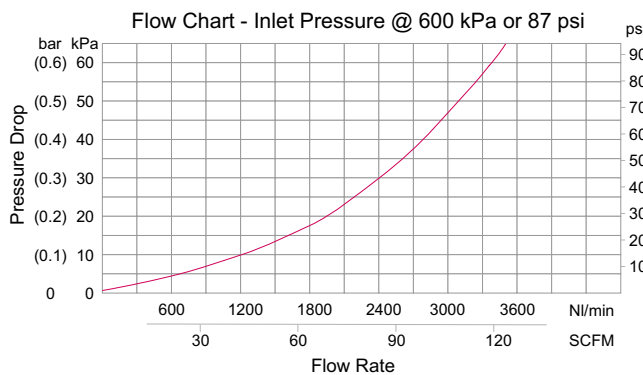
* 25% less for transparent cups



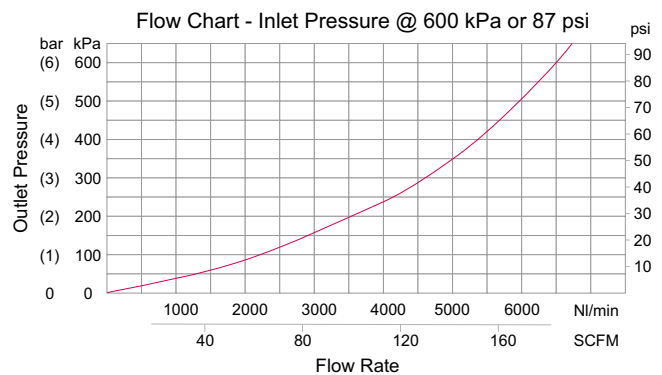
1/8" - 1/4"



3/8" - 1/2"



3/4" - 1"



Dimensions (mm)

Size	1/8" - 1/4"	3/8" - 1/2"	3/4" - 1"
A (metal cup)	117	149	195
B (transparent)	112	143	
C	21	30	40
D	42	60	80
E	32	46	66
F	42	60	80
G	42	60	80