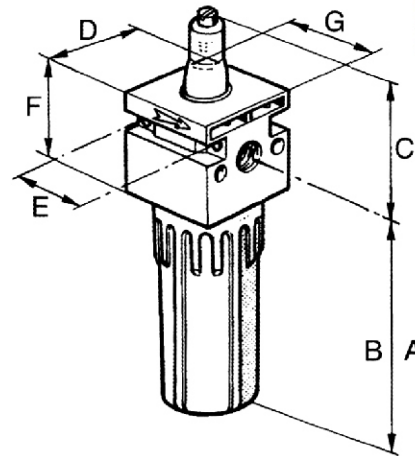


Indumart AS-L Series Lubricators are used to lubricate filtered air. The amount of oil mist inserted to the compressed air can be adjusted by the means of a micrometer screw places on top of the lubricator. High capacity and long service life are the important features of these lubricators.



Size	1/8" - 1/4"	3/8" - 1/2"	3/4" - 1"
Max. Inlet Pressure*	260 psi, 18 bar, 1800 kPa		
Flow (NI/min) @ 600 kPa	1150	4000	8800
Capacity of the Cup (ml)	30	120	350
Max. Temp. @ 1000 kPa	50°C		
Mounting Position	Vertical		
Body Material	Galvanised Zn+Al+Mg alloy, epoxy painted		
Cup Material	Transparent Technopolymer, Aluminium shield		
Oil Suction Filter	Sintered bronze		
Internal Seals	NBR		
Weight with Metal Cup (kg)	0.3	0.7	1.6

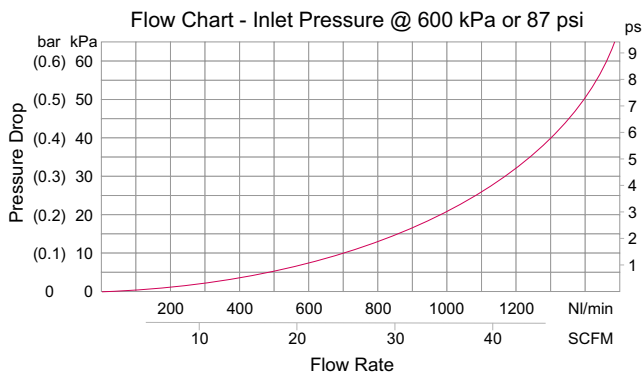
\* 25% less for transparent cups



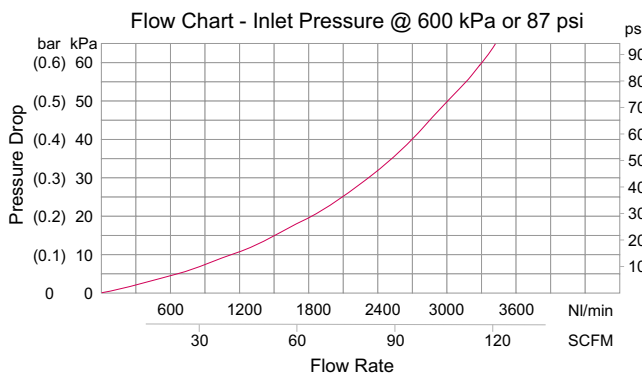
### Dimensions (mm)

Size	1/8" - 1/4"	3/8" - 1/2"	3/4" - 1"
A (metal cup)	105	133	185
B (transparent)	95	125	
C	50	60	85
D	42	60	80
E	32	46	66
F	42	60	80
G	42	60	80

### 1/8" - 1/4"



### 3/8" - 1/2"



### 3/4" - 1"

