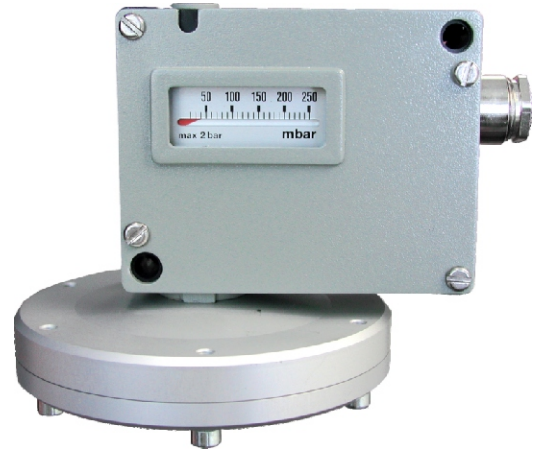


SERIES: PSM230

- RUGGED HOUSING
- LOW PRESSURE APPLICATIONS
- REPEATABILITY BETTER THAN 1.0%
- EXCELLENT VIBRATION RESISTANCE
- DUST PROOF AND WATER PROOF (IP65)
- INTERNAL OR EXTERNAL SETPOINT ADJUSTMENT
- GOLD PLATED CONTACTS FOR INTRINSICALLY SAFE CIRCUITS (OPTION)



APPLICATIONS:

- Control of Process
- Refrigeration / HEVAC
- Air Filter
- Gas Supply

INTRODUCTION

Indumart PSM230 Series Diaphragm Pressure Switches meet stringent demands and can be used in low-pressure, critical industrial applications where particular importance is attached to measuring reproducibility, long term stability and protection against water and dust penetration.

Housed in a die cast aluminum case, the Series PSM230 ON/OFF Pressure Controllers are supplied with various fixed switching differentials and several electrical switch ratings. The setpoint adjustment nub can be external for ease of frequent setpoint changes, or be placed inside the case to prevent setpoint tampering.

A definite advantage of the PSM230 Series over other brands of industrial, low-range pressure switches is its vibration resistance. moreover, repeatability of better than 1% of full scale ensures a very precise operation.

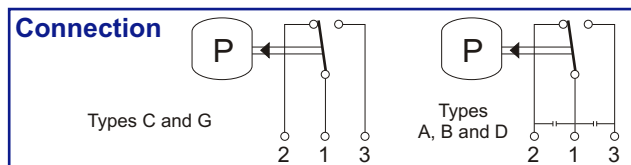
The sensor and membrane of the PSM230 Series are resistant to most gases and liquids. They can be placed in processes involving acetylene, butane, hydrogen, methane, natural gas, propane, sulphur dioxide, glycols, sea water, etc.

SPECIFICATIONS

Repeatability	±1.0% of full scale
Scale Accuracy	±2% of full scale
Hysteresis	<10% of full scale
Adjustments	Internal or external of the case
Case	Aluminum die cast, epoxy coated
Sensor	Membrane; Anodized aluminum
Seal	EFFBE
Mounting	Direct by sensor or housing
Mounting Position	Any position
Process Connection	½" male, ¼" female
Environ. Protection	IP-65
Dielectric Strength	1.25 kV to ground
Shock	50g / 11ms
Medium Temperature	-40...+150°C
Ambient Temperature	-20...+70°C
Storage Temperature	-25...+80°C
Relative Humidity	95% maximum
Insulation Resistance	>2MΩ
Weight	Approximately 850g (1.89 lb)

Switching Differentials for Various Ranges and Switching Types of the PSM230 Series - Pressure Unit is kPa.

Range	Over-pressure	Burst Pressure	Switching Type		
			A, D and G	B	C
2...25	200	400	~ 0.5	~ 0.2	~ 1.0
3...40	200	400	~ 0.5	~ 0.2	~ 1.0
3...60	400	750	~ 1.5	~ 0.6	~ 3.5
5...100	400	750	~ 1.5	~ 0.6	~ 3.5



ORDER CODE

DIAPHRAGM PRESSURE SWITCH

Model: PSM230 -

ADJUSTMENT NUB AND DISPLAY

External Adjustment with Display
 Internal Adjustment with Display
 Internal Adjustment without Display

RANGE

2...25 kPa (20...250 mbar)
 3...40 kPa (30...400 mbar)
 3...60 kPa (30...600 mbar)
 5...100 kPa (50...1000 mbar)

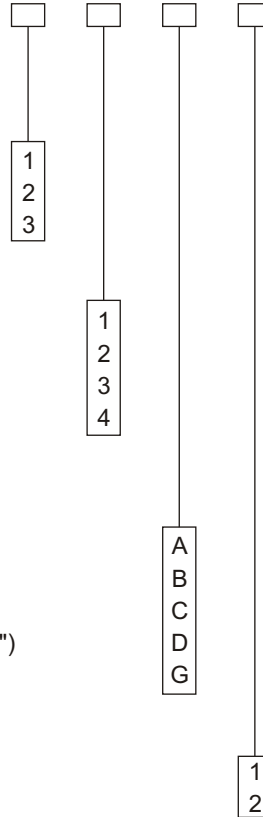
SWITCHING DIFFERENTIAL & ELECTRICAL RATING

(See the Tables)

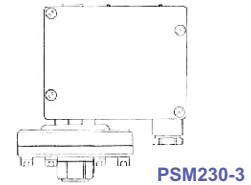
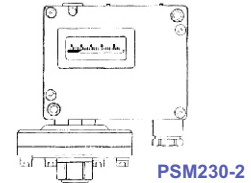
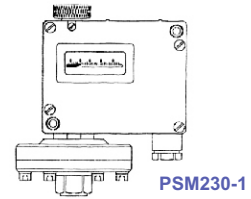
Standard switching differential (Type "A")
 Small switching differential (Type "B")
 Large switching differential / High vibration resistance (Type "C")
 Standard switching differential / Ext. vibration resistance (Type "D")
 Standard switching differential / Gold-plated contacts (Type "G")

CONNECTION

1/4" female
 1/2" male

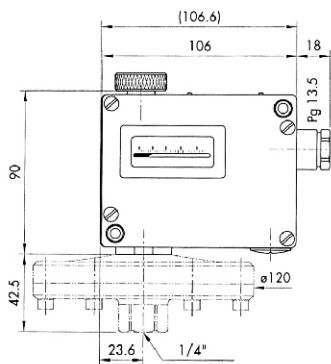


ADJUSTMENT NUB & DISPLAY

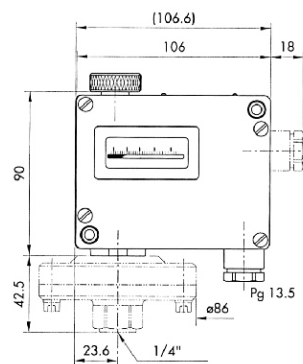
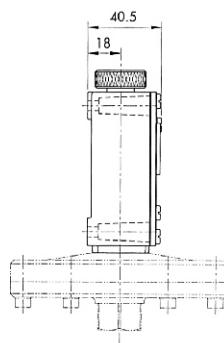


Model	Electrical Rating	
	AC	DC
A, C, D	380V-15A 110V-0.4A 24V-6A 12V-15A	220V-0.2A 110V-0.4A 24V-6A 12V-15A
B	250V-10A	220V-0.3A 110V-0.5A 24V-5A
G	24V-0.01A 12V-1.0A 5V-2.0A	24V-0.01A 12V-1.0A 5V-2.0A

DIMENSIONS (mm)



PSM230-x1
 PSM230-x2



PSM230-x3
 PSM230-x4

A COMPLETE LINE OF PRESSURE INSTRUMENTS @ INDUMART



INDUMART INC.

1-15 W. Pearce St., Richmond Hill, Ont. L4B 1H6, Canada
 Phone: (905) 707-9998 Fax: (905) 707-8484 E-mail: Sales@Indumart.com