



PTE215

10:1 Turn-down Ratio

- ABSOLUTE OR GAUGE PRESSURE
- MICROPROCESSOR-BASED ELECTRONICS
- INTRINSICALLY SAFE TO EEx ia IIB, T6, T5, T4
- RANGES UP TO 6,670 PSI (460 BAR)
- 4-DIGIT LCD INDICATOR TO DISPLAY PRESSURE
- AUTOMATIC TEMPERATURE COMPENSATION
- INDICATION OF THE FLUID TEMPERATURE
- EXCELLENT ALTERNATING LOAD RESISTANCE
- LONG-TERM STABILITY AND SERVICE LIFE
- MEDIUM TEMPERATURE -20...130°C (option)



INTRODUCTION

Indumart *PTE215* Series of Pressure Transmitters are two-wire microprocessor-based instruments with thick film ceramic sensors, which can measure gauge, vacuum, compound or absolute pressure in the range of -14.5 to 6,670 psi (-1 to 460 bar). It provides automatic temperature compensation, software linearization and displays the fluid temperature at the sensor.

Due to the materials and technology used in the construction of these pressure transmitters, these instruments are excellent in reliability, resistance to corrosion against the majority of chemically aggressive media and withstanding mechanical shocks.

With a turn-down ratio of 10:1 along with the zero and span adjustments, parameters can be adjusted digitally. The 4-digit LCD indicator displays the measured reading, either in engineering units (psi, bar, mbar) or in percentage.

The heavy-duty *PTE215* transmitters are intrinsically safe instruments which meet the electromagnetic compatibility (EMC) requirements of EN50081-2 and EN50082-2.

SPECIFICATIONS

Case	Die cast aluminum alloy, Finished with epoxy resin
Wetted Parts	Alumina oxide, 316 St. Steel, Viton/kalrez
Covers	Reinforced technopolymer
Accuracy:	
Linearity	≤0.15% of full scale
Hysteresis	<0.1% of full scale
Repeatability	<0.1% of full scale
Measuring Range	See the Range Table
Overload Limit	See the Range Table
Turn-down Ratio	10:1
Adjustments	Zero & Span
Digital Damping	0...51 sec.
Output Signals	4...20 mA, 2-wire
Sensor Element	Thick film ceramic
Display	4-digit LCD with 4 symbols
Settling Time	150 ms @ 27°C
Process Connection	See the Order Code Table
Power Supply	10...30 VDC
Load (Ω)	(Supply Voltage - 10)/0.02
Electric Connection	½" NPT and cable gland 13.5 for 7 to 12 mm dia. cable
Mounting	Direct or 2" pipe mounting
Environ. Protection	IP66
Explosion Protection	EEx ia IIB, T6, T5, T4. For Zone 0 groups IIA, IIB.
Temp. Medium	-20...80°C or -20...130°C
Ambient	-20...80°C for T4, 55°C for T5, 40°C for T6
Temp. Influence	±0.2% / 10 k, zero & span
EMC Emission	EN EN50081-2
Susceptibility	EN 50082-2
Weight	850 g (1.9 lb)

Code	Nominal Range	Range Limits	Over Pressure
F	0/2 bar (0/29 psi)	-1/2.3 bar (-14.5/33 psi)	7 bar (100 psi)
G	0/5 bar (0/72 psi)	-1/5.75 bar (-14.5/83 psi)	12 bar (170 psi)
H	0/10 bar (0/145 psi)	-1/11.5 bar (-14.5/166 psi)	25 bar (360 psi)
K	0/20 bar (0/290 psi)	-1/23 bar (-14.5/333 psi)	50 bar (720 psi)
L	0/50 bar (0/720 psi)	-1/57.5 bar (-14.5/833 psi)	120 bar (1700 psi)
M	0/100 bar (0/1450 psi)	-1/115 bar (-14.5/1667 psi)	250 bar (3600 psi)
N	0/200 bar (0/2900 psi)	-1/230 bar (-14.5/3335 psi)	500 bar (7200 psi)
P	0/400 bar (0/5800 psi)	-1/460 bar (-14.5/6670 psi)	600 bar (8700 psi)
1	0/2 bar abs. (0/29 psia)	0/2.3 bar abs. (0/33 psia)	7 bar (100 psi)
2	0/5 bar abs. (0/72 psia)	0/5.75 bar abs. (0/83 psia)	12 bar (170 psi)
3	0/10 bar abs. (0/145 psia)	0/11.5 bar abs. (0/166 psia)	25 bar (360 psi)

Note: The span may be set between 10% to 115% of the nominal range.

ORDER CODE

ELECTRONIC PRESSURE TRANSMITTER

Model: PTE215 - - - - -

PRESSURE CONNECTION

G ½	80°C	1
½" NPT	80°C	2
G ½	130°C	3
G 1	130°C	4
Union nut 65x1/6	130°C *	5
Union nut 78x1/6	130°C *	6
Clamp 1 ½"	130°C *	7
Clamp 2"	130°C *	8
Special		9

NOMINAL RANGE

0/2 bar (0/29 psi)	F
0/5 bar (0/72 psi)	G
0/10 bar (0/145 psi)	H
0/20 bar (0/290 psi)	K
0/50 bar (0/720 psi)	L
0/100 bar (0/1450 psi)	M
0/200 bar (0/2900 psi)	N
0/400 bar (0/5800 psi)	P
0/2 bar abs. (0/29 psia)	1
0/5 bar abs. (0/72 psia)	2
0/10 bar abs. (0/145 psia)	3

SEALING

Viton	0
Kalrez	1

CALIBRATION

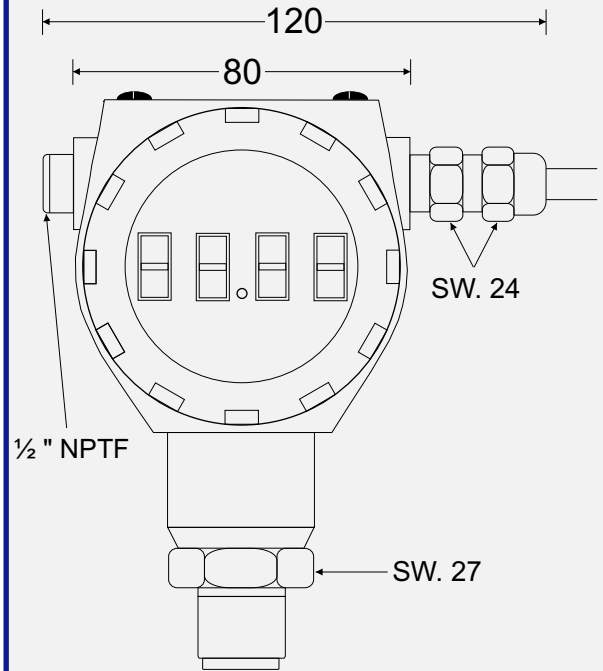
Nominal Range (Standard)	1
Special	2

MOUNTING

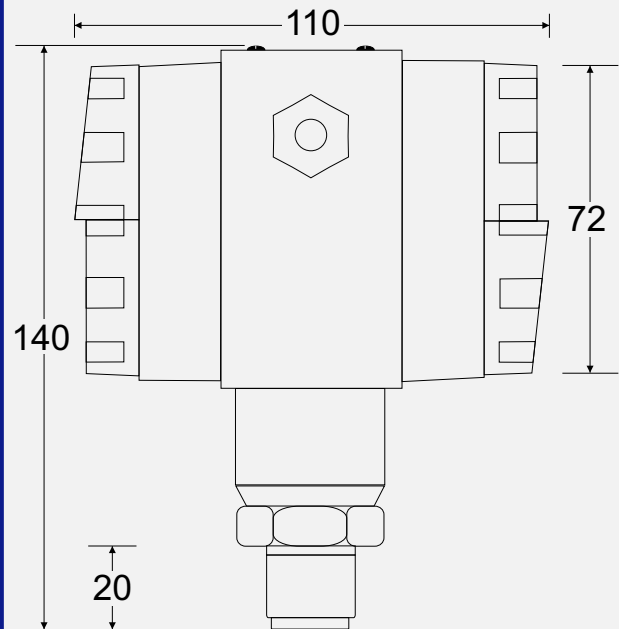
Direct	0
2" Pipe Mounting	1

* For nominal range ≤ 50 bar (720 psi)

DIMENSIONS (mm)



100 mm CLEARANCE TO REMOVE COVER
(BOTH ENDS)



INDUMART INC.

1-15 W. Pearce St., Richmond Hill, Ont. L4B 1H6, Canada
Phone: (905) 707-9998 Fax: (905) 707-8484 E-mail: Sales@Indumart.com